

6

5

4

3

2

1

REVISION RECORD			
LTR	ECO NO:	APPROVED:	DATE:

D

D

C

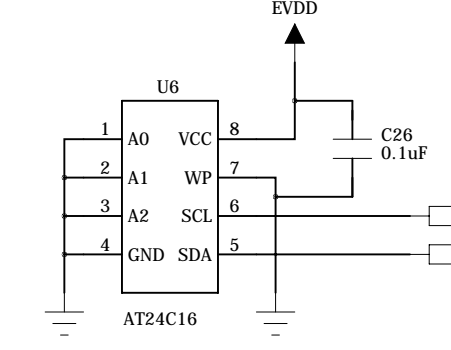
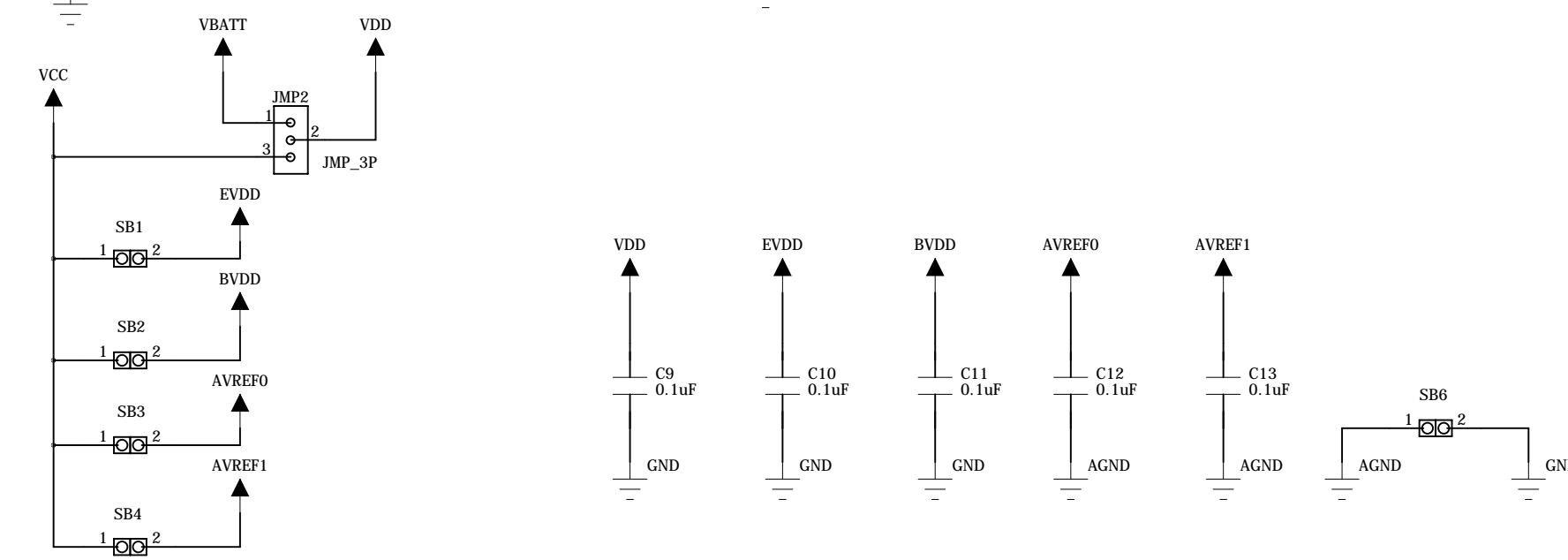
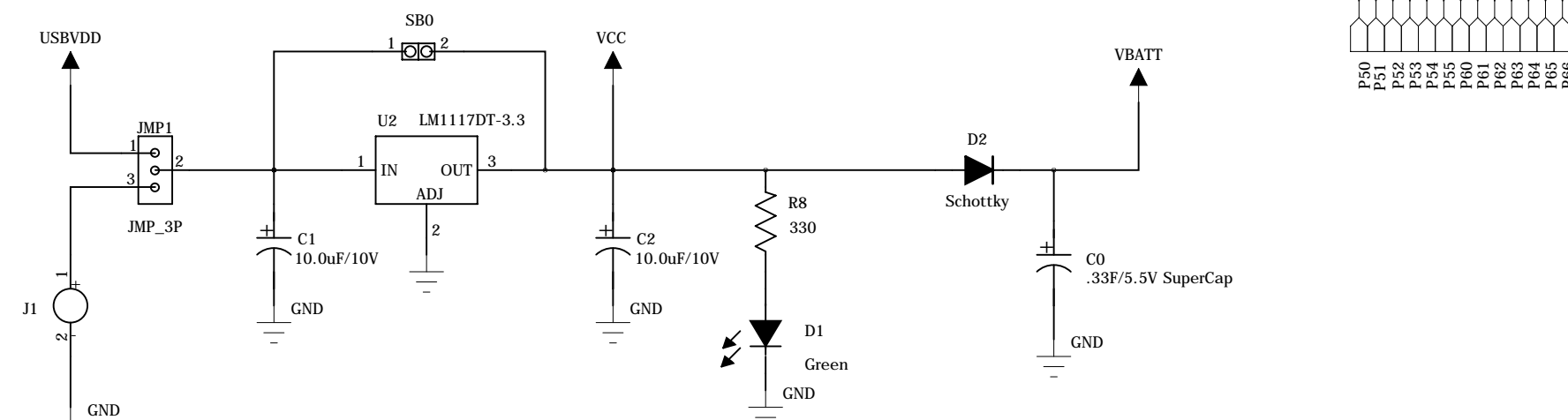
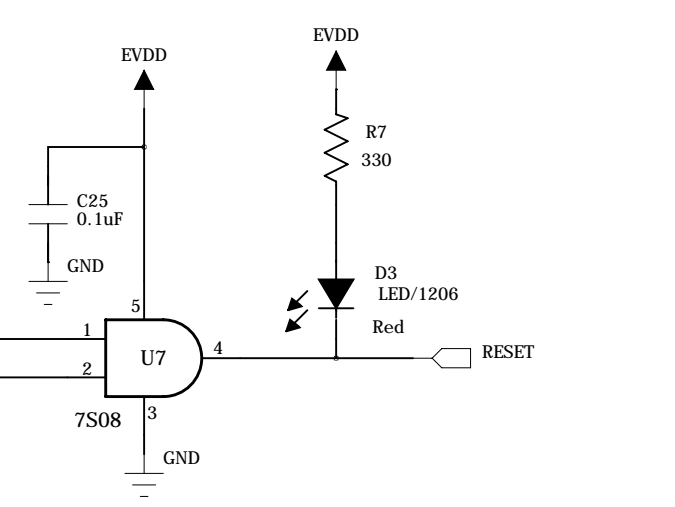
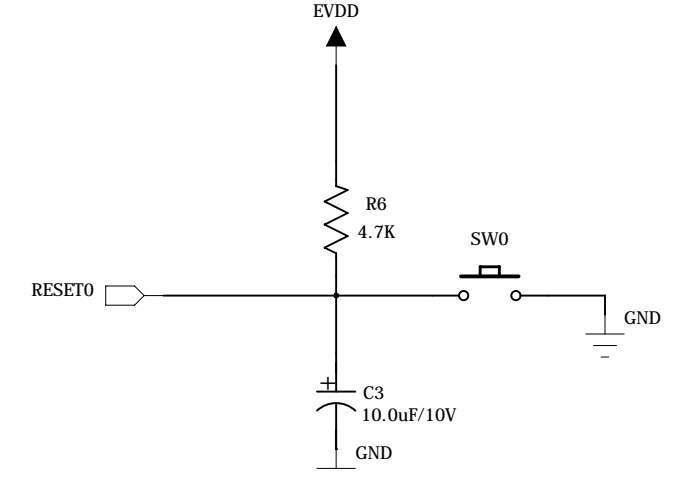
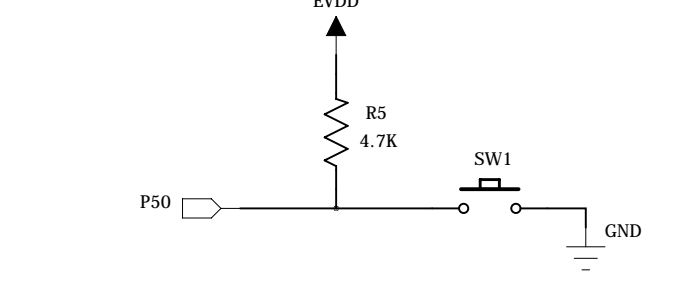
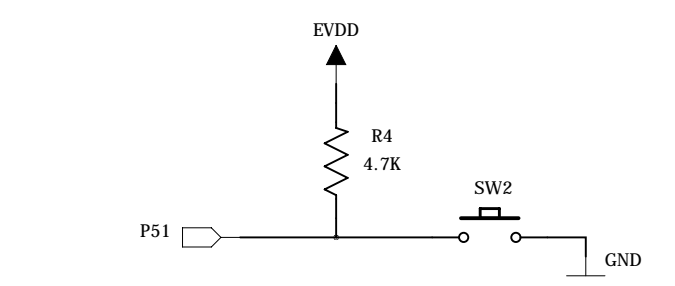
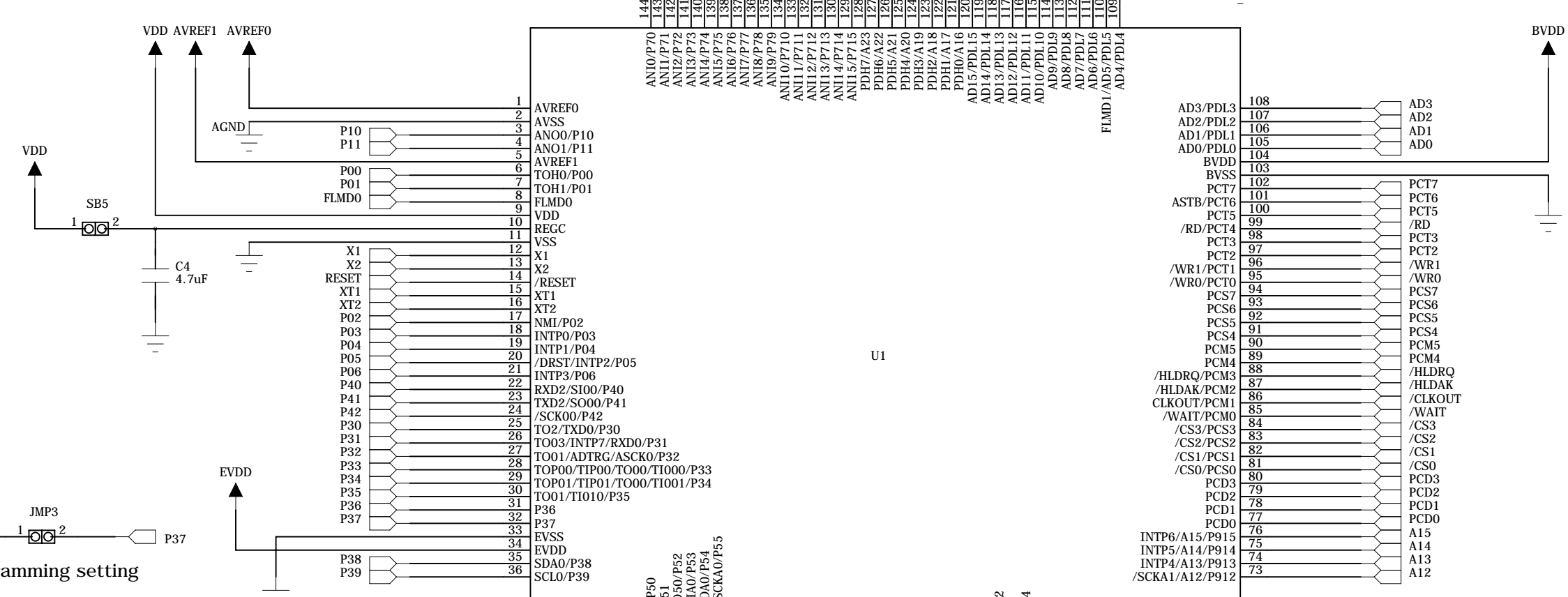
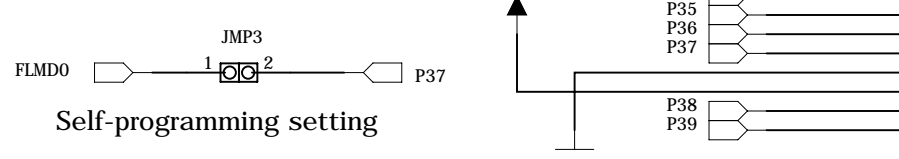
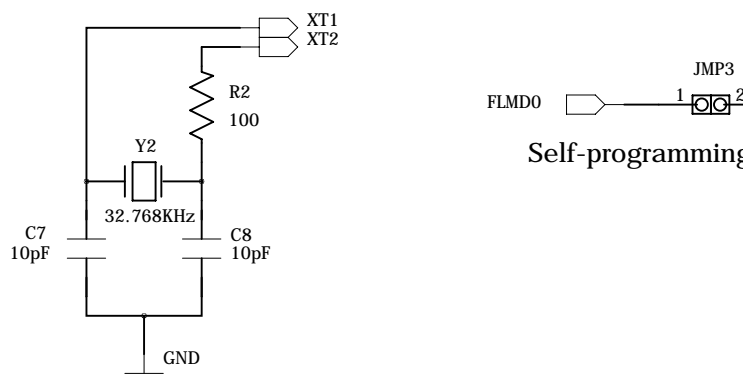
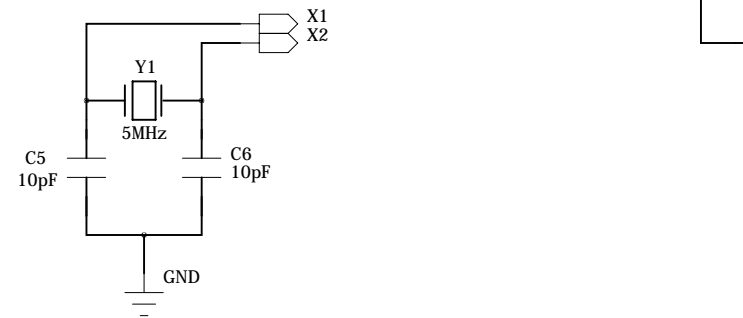
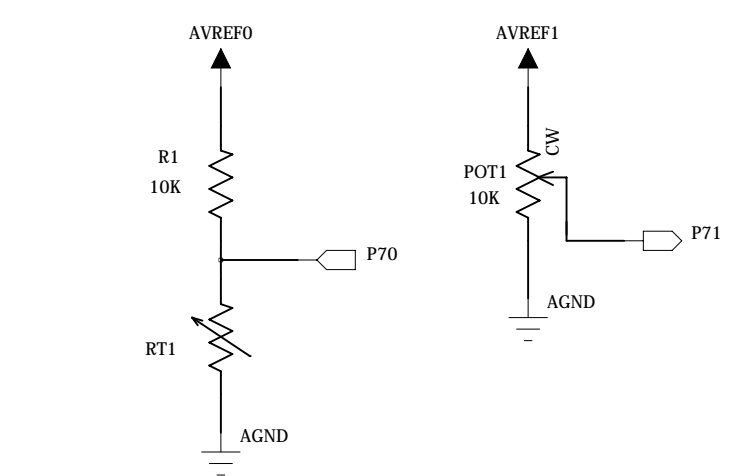
C

B

B

A

A



DRAWN:	DATED:
CHECKED:	DATED:
QUALITY CONTROL:	DATED:
RELEASED:	DATED:

COMPANY: NEC ELECTRONICS AMERICA INC.			
TITLE: AF-EV-850 Basic Board (1/3)			
CODE:	SIZE: A2	DRAWING NO:	REV: Rev 1.0
SCALE:			SHEET: OF

6

5

4

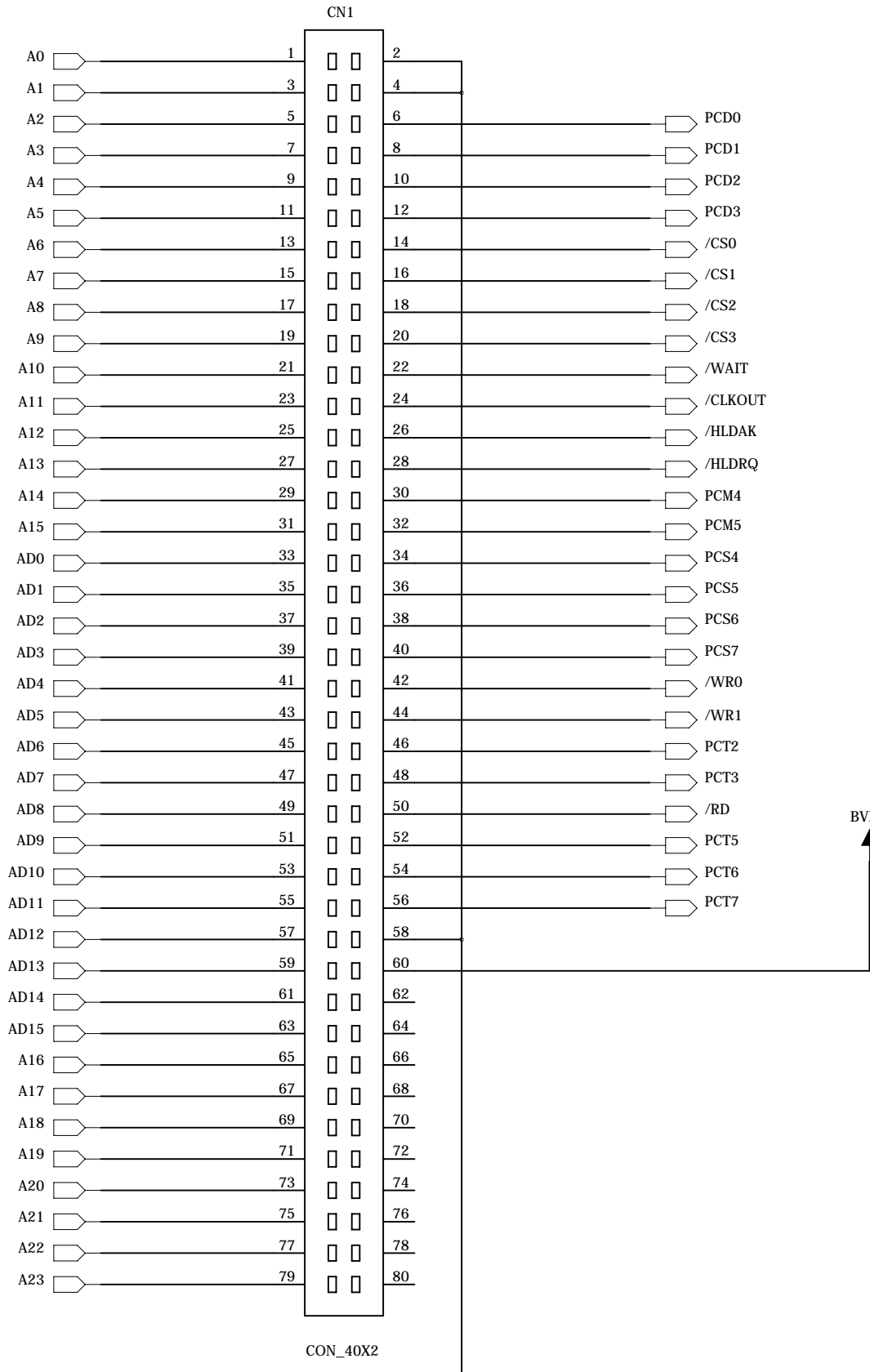
3

2

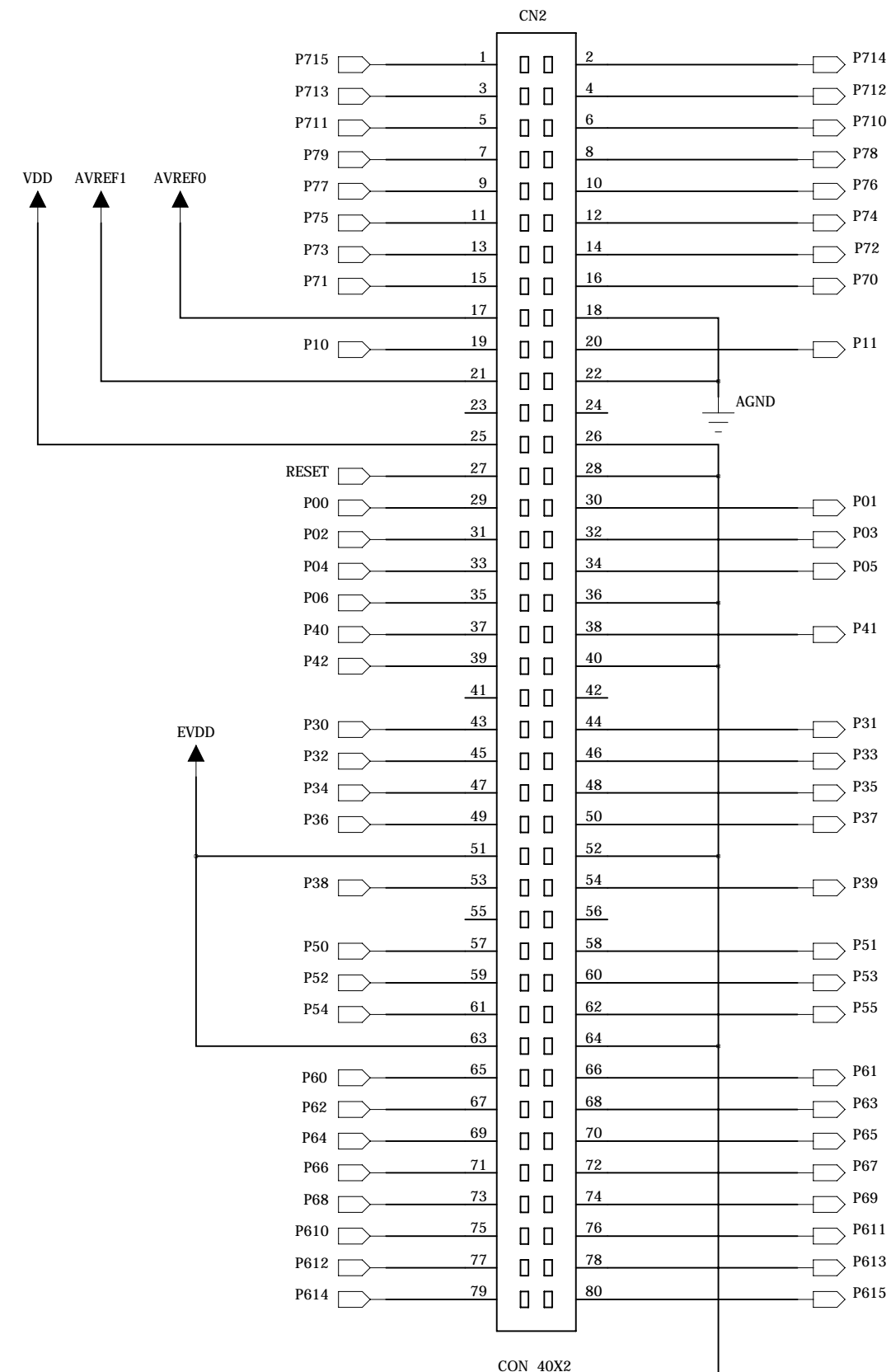
1

REVISION RECORD			
LTR	ECO NO:	APPROVED:	DATE:

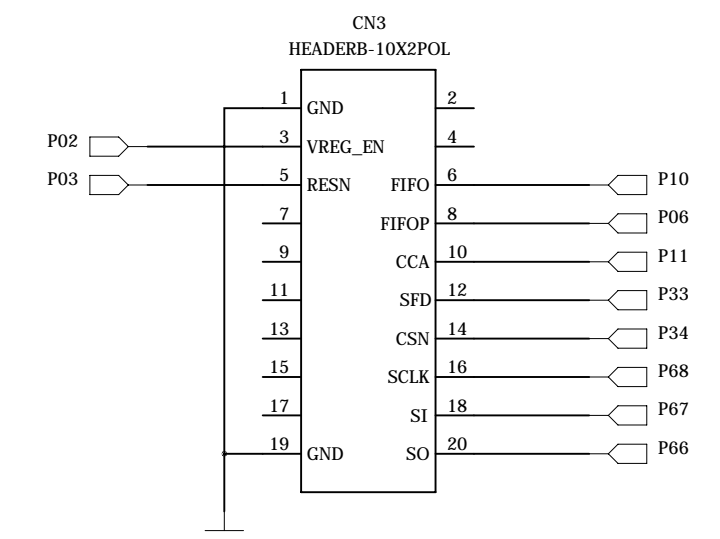
Expansion Memory Bus



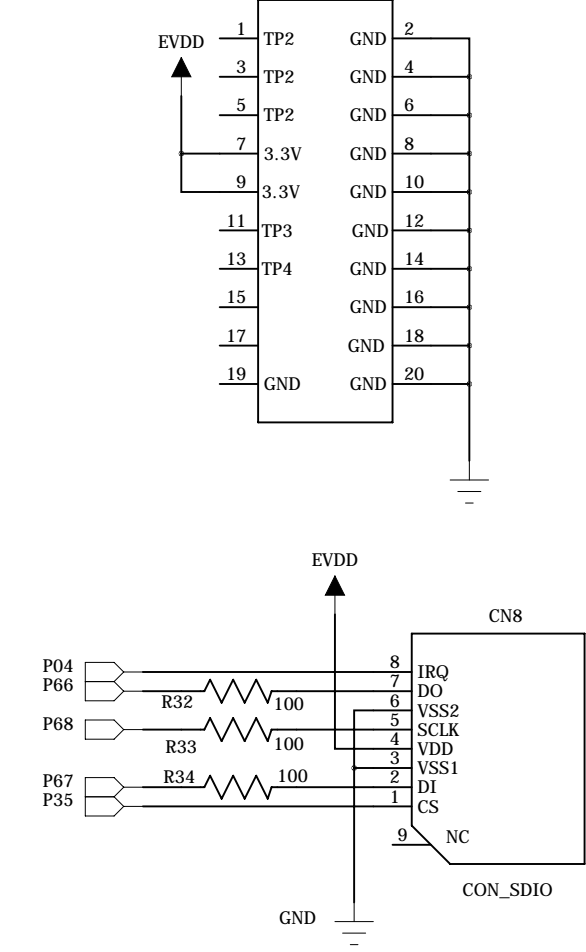
Expansion Peripheral Bus



ZigBee RF Interface



SD Memory Card Interface



SD Memory Card Interface

COMPANY:				NEC ELECTRONICS AMERICA INC.			
TITLE:				AF-EV-850 Basic Board (2/3)			
DRAWN:	DATED:	CODE:	SIZE:	DRAWING NO:		REV:	
CHECKED:	DATED:						
QUALITY CONTROL:	DATED:						
RELEASED:	DATED:						
SCALE:						SHEET: OF	

